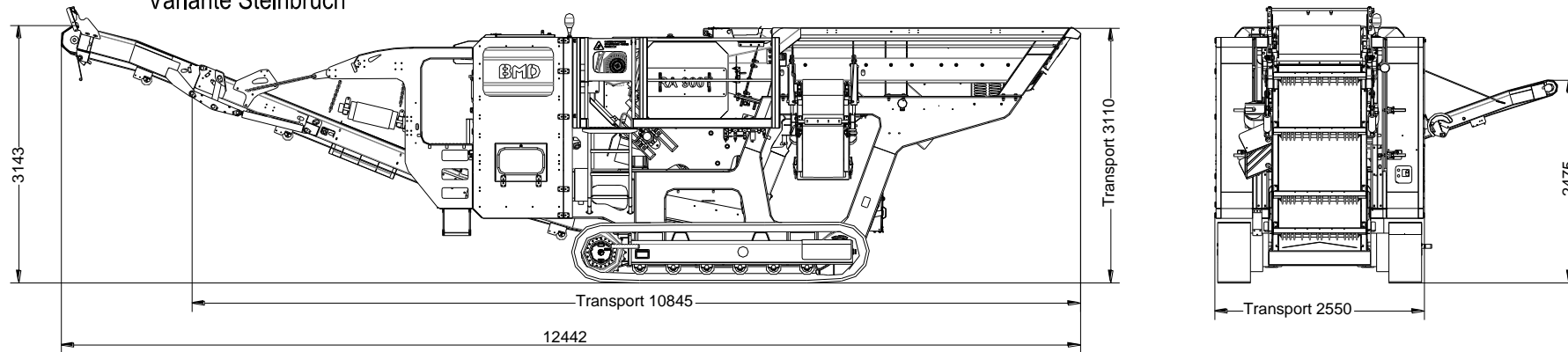


Variante Steinbruch



Variante Recycling

